

# Micro-Z ULS

## Specifications

### Instrument:

- Wavelength dispersive X-ray fluorescence analyzer
  - Includes vacuum pump
- Element range: sulfur (S), LLD = 0.3 ppm
- Application: analysis of fuels for sulfur content
- Single measurement position (std. 35 mm cup)

### Supported methods:

- ASTM D2622-10
- ISO 20884 and JIS K12541-7

### Excitation:

- 40 kV Cr-anode X-ray tube
- 40 W max power

### Detection:

- Doubly curved RX-9 analyzing crystal
- Sealed proportional counter
- Fixed optics with switchable receiving slit
  - To select peak or background
- Pulse height analyzer (PHA)

### Atmosphere:

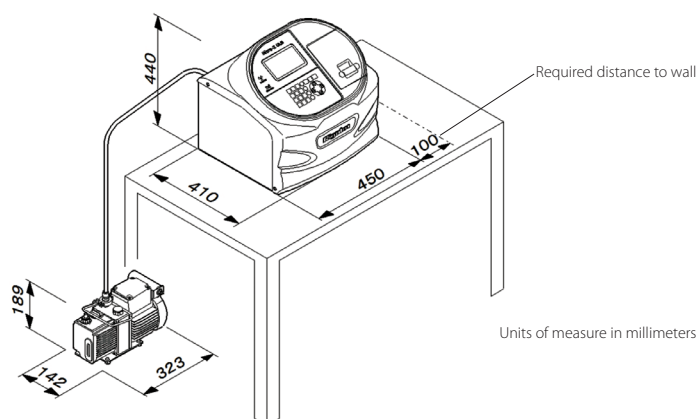
- Sample analysis in air
- Optics are under vacuum

### Environmental conditions:

- Ambient temperatures 15 – 28°C
- Relative humidity <75% non condensing
- Vibration undetectable by human
- Free from corrosive gas, dust, and particles

### Dimensions / power:

- Analyzer: 450 x 410 x 440 mm, 36 kg
- Pump: 323 x 142 x 189 mm, 10 kg
- 100-120 VAC, 15 A or 200-240 VAC, 10 A



## Backed by Rigaku

Since its inception in 1951, Rigaku has been at the forefront of analytical and industrial instrumentation technology. Today, with hundreds of major innovations to our credit, the Rigaku Group of Companies are world leaders in the field of analytical X-ray instrumentation. Rigaku employs over 1,400 people worldwide in operations based in Japan, the U.S., Europe, South America and China.

### Computer:

- Embedded dedicated processor
- Proprietary operating system

### Software:

- Up to 10 calibrations
- Up to 30 standards per calibration
- Selectable analysis time (up to 900 s)
- Drift correction
- Pulse height analyzer (PHA) adjustment

### User interface:

- LCD display
- Embedded computer
- Membrane keypad and navigation

### Options:

- Thermal dot printer
- RS-232C data output



**Rigaku**  
POWERING NEW PERSPECTIVES